

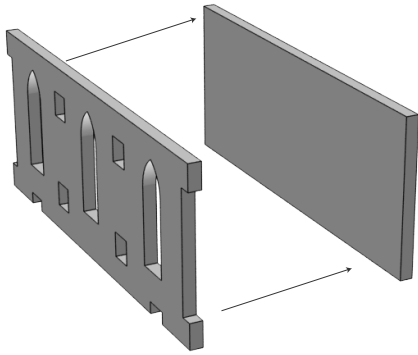


FRONTIER WARGAMING

GOTHIC CEMETARY

Tools you might need during the assembly: hobby knife, file, PVA (white glue) or super glue or epoxy glue.

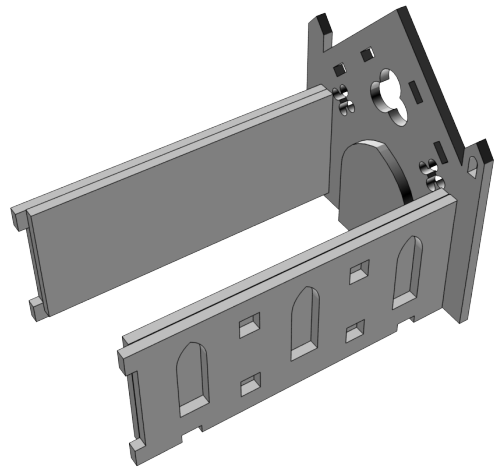
A



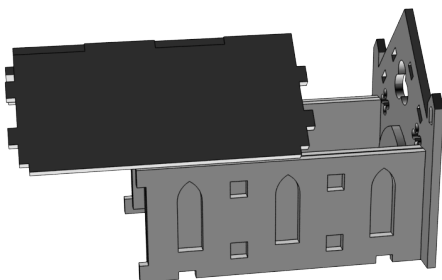
1. Glue the two parts of the walls together, as shown on picture "A".

2. Glue the door into place and snap the walls together, as shown on picture "B".

B

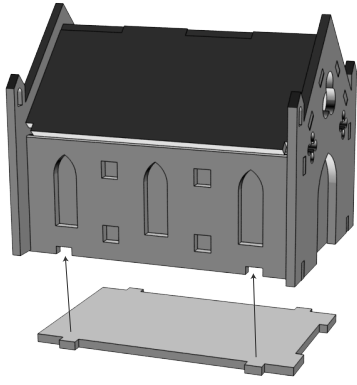


C



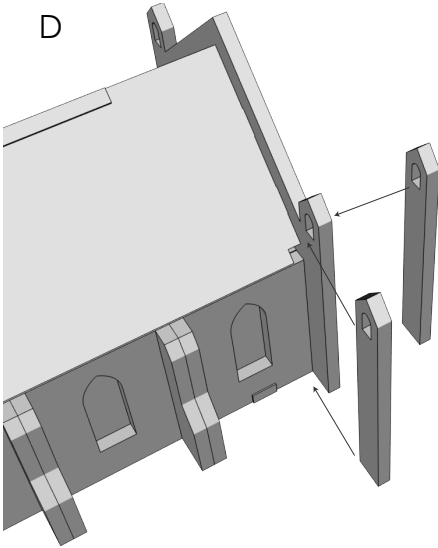
2. Fit the roof into place, as shown on picture "C".

D

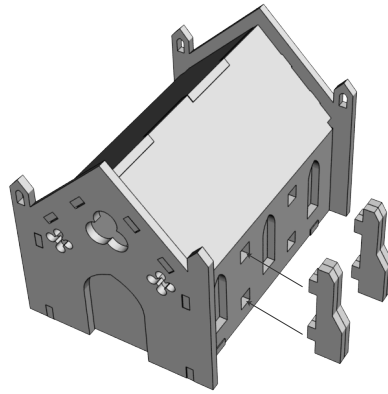


4. Fit the floor into place, as shown on the picture "D".

D

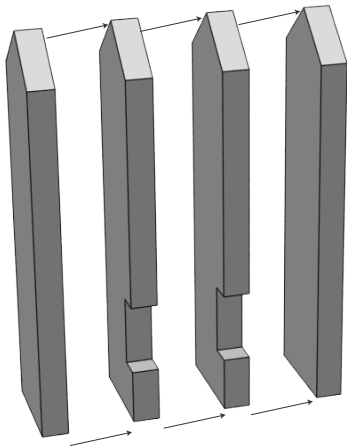


D1

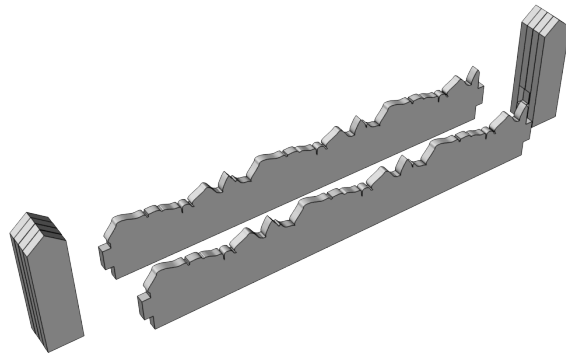


4. Glue the columns into place, as shown on picture "D" and "D1".

E



E1



5. Glue the columns and attach them to the fence ,as shown on picture "E" and "E1".