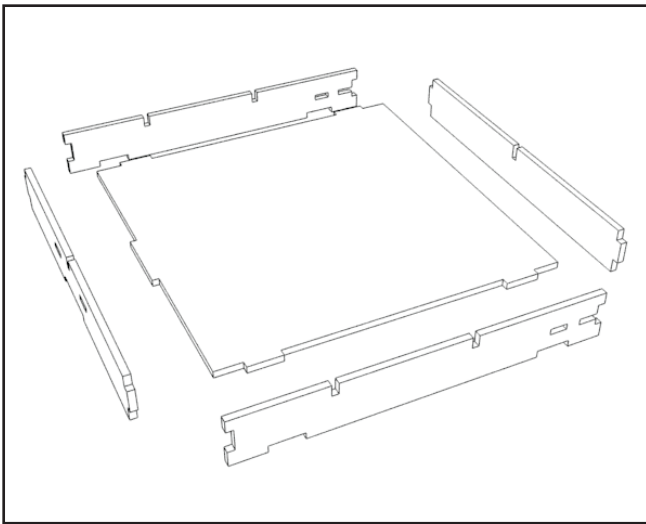




FRONTIER WARGAMING

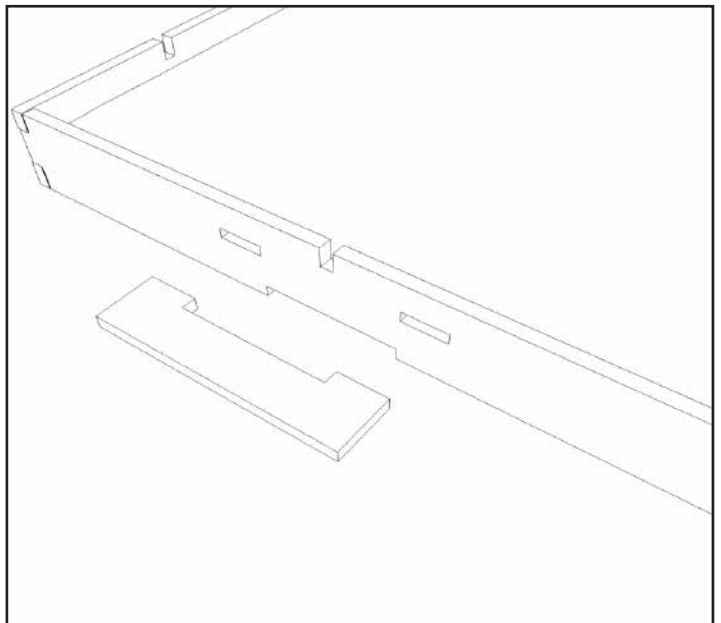
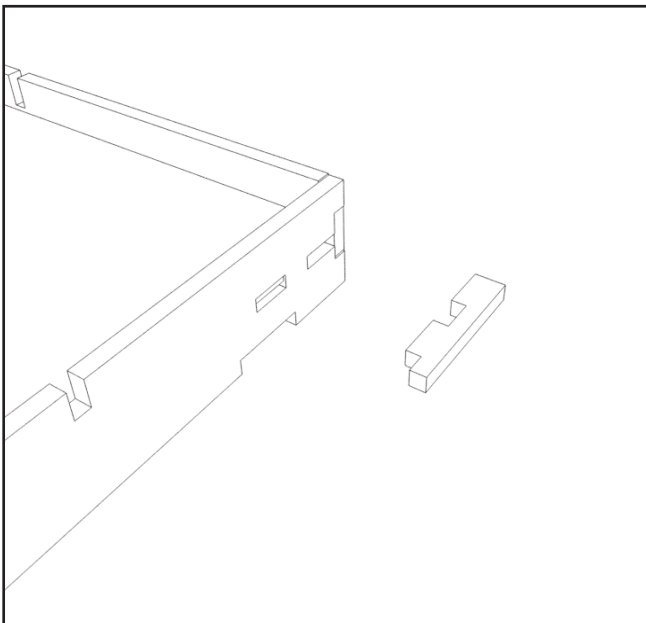
DRAWER UNIT

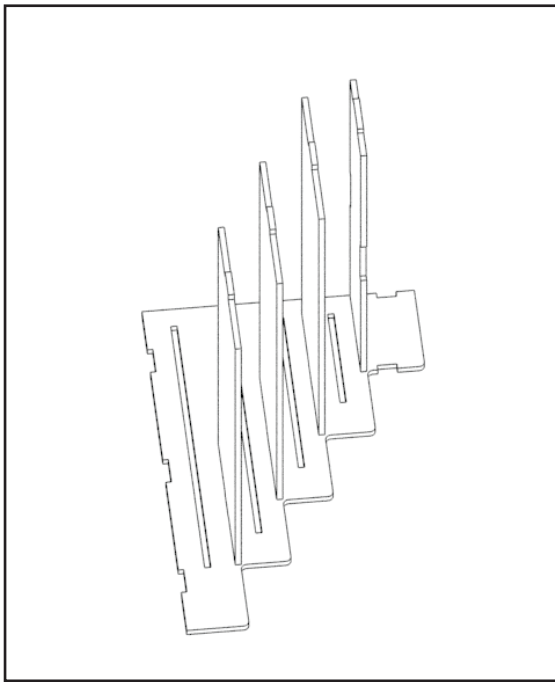
Please unpack the received package and place all parts on a flat surface. Get tools, like a knife, file and super glue ready. Connections in the parts are designed to be a bit bigger, so that you could assemble everything first, and then glue. To connect some part you will need to push them a bit harder than normally. If you see that some parts are too hard to connect, please file away the excess material and then connect it again. When assembling please put small amount of super glue on the parts that you are connecting together.



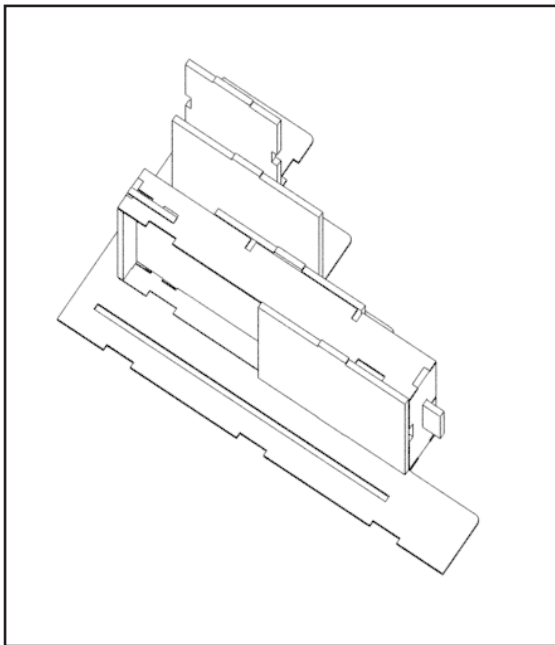
First you will need to assemble the drawers as shown in the picture. The parts are marked from 1 to 4. So all parts that are marker for example 1, are from the first drawer. Then attach the handles, and sliders as shown below.

After finishing, please put all the space dividers in place as you will not be able to do it afterwards.

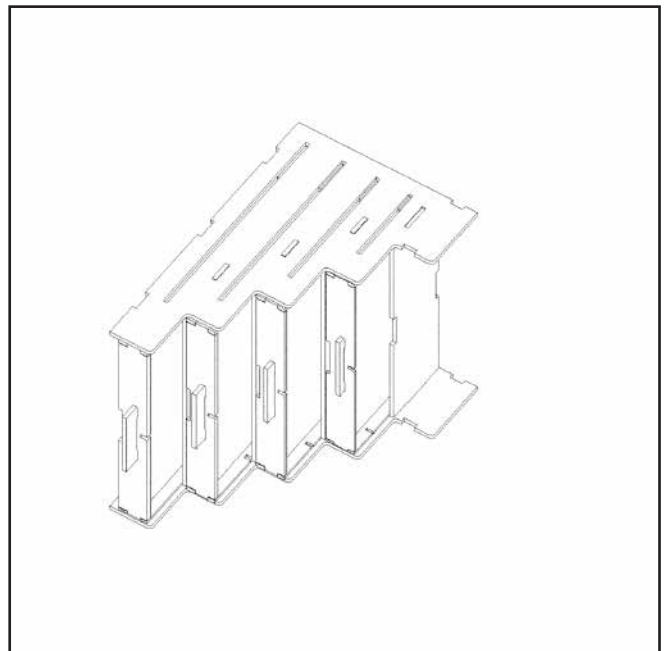
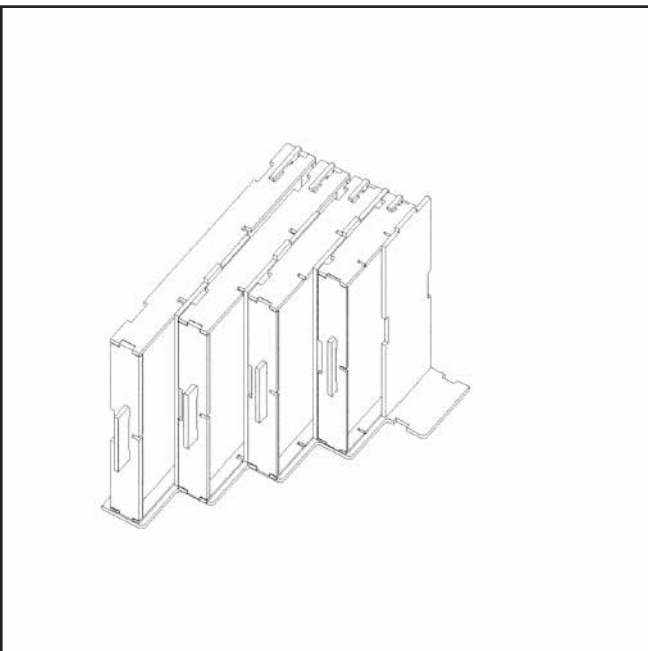


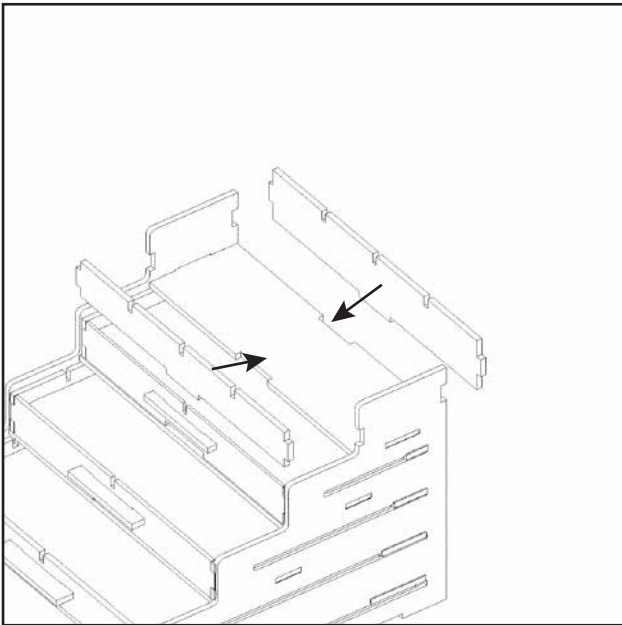


Now place one wall on the table and push the 3 horizontal support pieces inside. Then attach the top shelf bottom part.



After that put the drawers inside, so that the sliders go inside the gaps. Do this for all 4 drawers. Then you need to attach the second wall. Move it about so that all the parts go inside the gaps in the second wall. You will need to push harder in some places.





Attach the parts of the top shelf in place and place the dividers how you wish. Finally attach the floor and check if all the drawers are sliding correctly. Use the pictures below as a reference when Assembling. Contact us should you have any questions or difficulties.

