

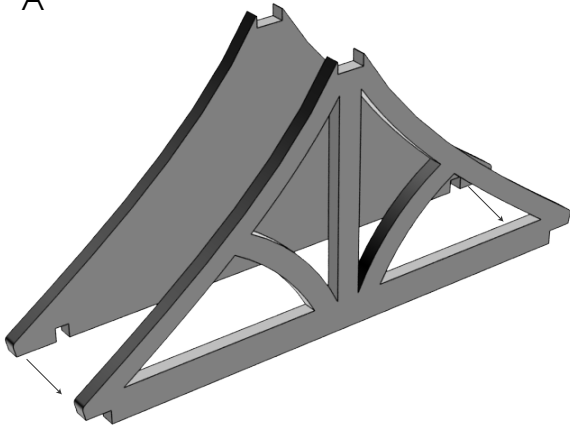


FRONTIER WARGAMING

MEDIEVAL HOUSE

Tools you might need during the assembly: hobby knife, file, PVA (white glue) or super glue or epoxy glue.

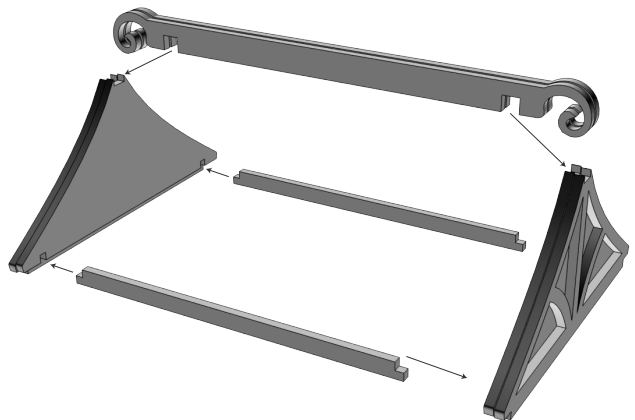
A



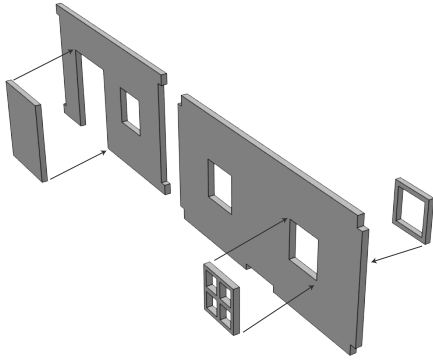
1. Glue the two parts of the roof together, as shown on picture "A".

2. Glue the two parts of the ridge together, as shown in picture "B" and snap it into place, between the walls of the roof.

B



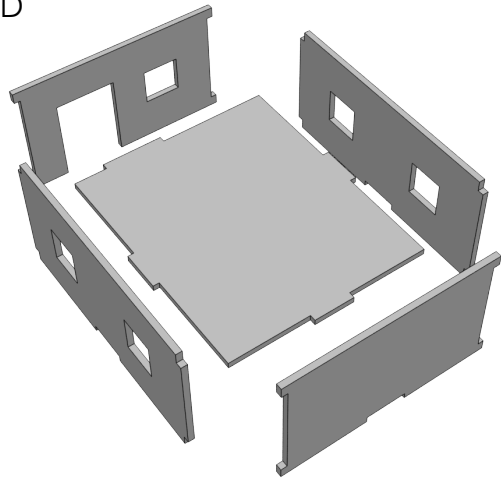
C



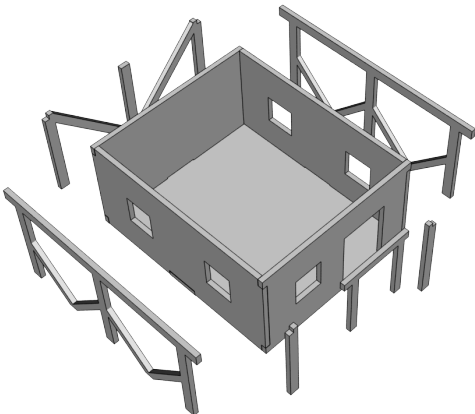
4. Glue the door and window parts into place, as shown on the picture "C".

4. Glue all the walls and the floor together, as shown on picture "D".

D



E



5. Glue all the fittings into place, as shown on picture "E".