

# PAIN T CASE HANDLE UPGRADE INSTRUCTIONS

THANK YOU FOR PURCHASING OUR CANVAS BAG. TO BEGIN, FIND A FLAT SURFACE TO ORGANIZE ALL PARTS AND TOOLS. PLEASE NOTE THAT GENERALLY, IT IS NOT INTENDED FOR THE HANDLE TO BE REPLACED.

YOU WILL ALSO FIND A STENCIL TO HELP WITH THE STEPS.

IF THE HANDLE DOESN'T FIT INTO THE HOLES, YOU CAN USE A FILE TO WIDEN THE HOLE. FOR BETTER RESULTS, SECURE THE STENCIL WITH A CLAMP WHILE DRILLING.

## TOOLS THAT YOU WILL NEED:

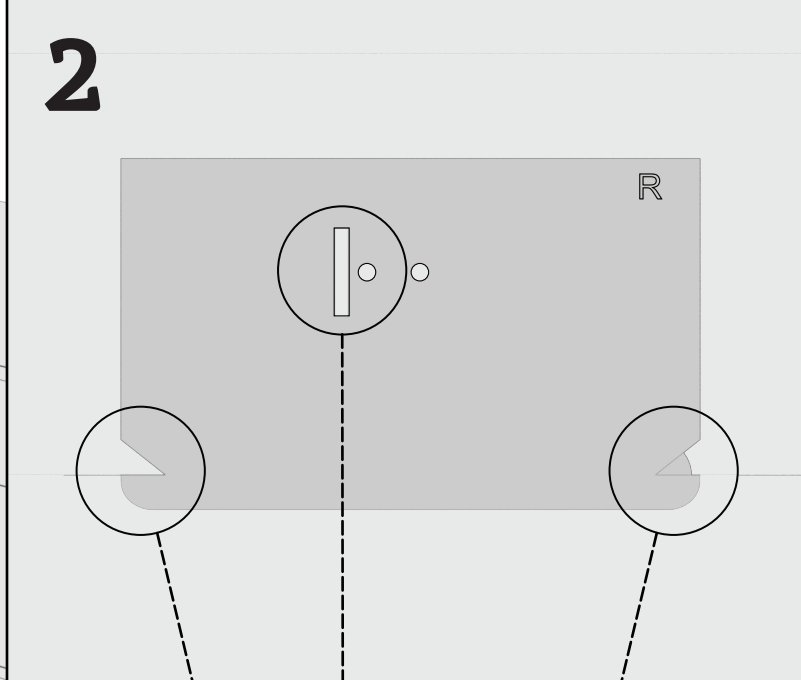
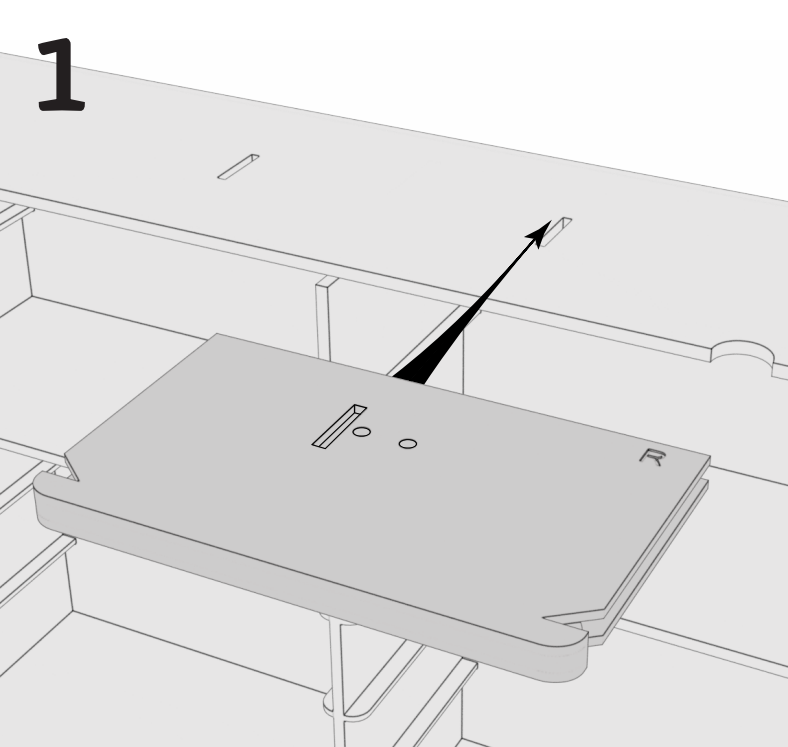
- DRILL
- PHILLIPS SCREWDRIVER
- FLAT FILE

## TOOLS THAT YOU MIGHT NEED:

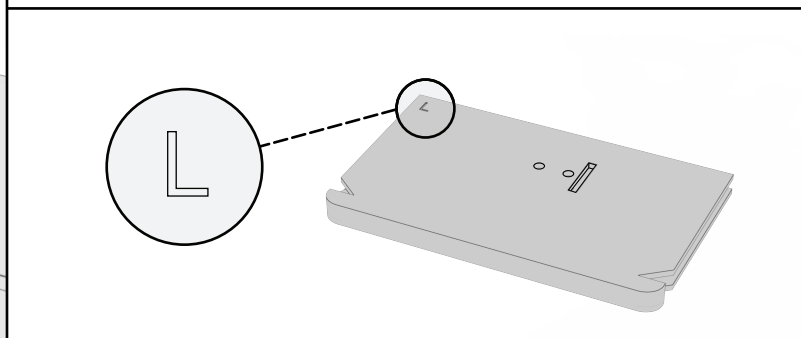
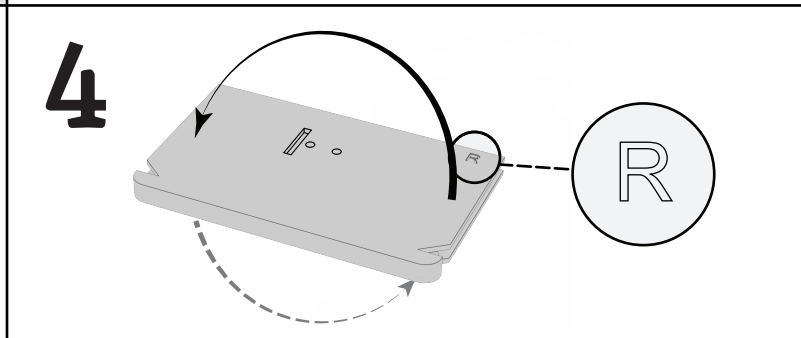
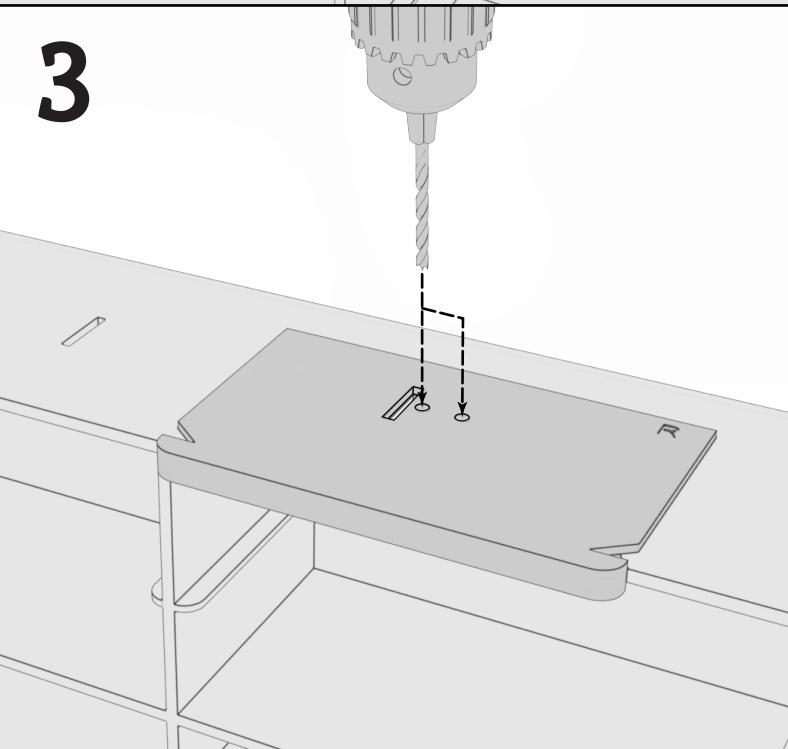
- SANDPAPER
- CLAMP

IF YOU NEED HELP OR HAVE ANY QUESTIONS FEEL FREE TO CONTACT US AT [INFO@FRONTIERWARGAMING.COM](mailto:INFO@FRONTIERWARGAMING.COM)

PLEASE MAKE YOURSELF FAMILIAR WITH THE INSTRUCTIONS BEFORE ASSEMBLY.



ALIGN HOLE AND THE CASE SIDE WITH THE STENCIL



REPEAT STEPS 1, 2 AND 3 FOR THE LEFT SIDE

