

TRAY MODULES

ASSEMBLY INSTRUCTIONS

THANK YOU FOR PURCHASING OUR TABLETOP PAINT STATION LINE. FIRST PLEASE CAREFULLY UNPACK THE PARTS AND FIND A FLAT SURFACE TO PUT ALL THE PARTS. IF YOU HAVE BOUGHT DIFFERENT PAINT OPTIONS PLEASE TRY NOT TO MIX THE PARTS AND ASSEMBLE ONE SHELF AT A TIME. YOUR ITEMS MAY SMELL OF BURNED WOOD WHEN YOU RECEIVE THEM, IT WILL GO AWAY WITH TIME.

TOOLS THAT YOU MIGHT NEED:

- NAIL FILE- TO SAND AWAY ROUGH EDGES, SPLINTERS, AND TIGHT-FITTING CONNECTIONS.
- RUBBERBANDS OR MASKING TAPE- TO HOLD PARTS IN PLACE WHILE THE GLUE SETS.
- A RUBBER Mallet OR A METAL HAMMER WITH A PIECE OF WOOD.

GLUE:

- WE RECOMMEND USING THE INCLUDED GLUE TO SECURE THE PARTS.
- MOST BRANDS OF PVA/WOOD GLUE CAN BE USED.
- SUPER GLUE CAN ALSO BE USED, BUT WE DO NOT RECOMMEND IT

ASSEMBLY TIPS:

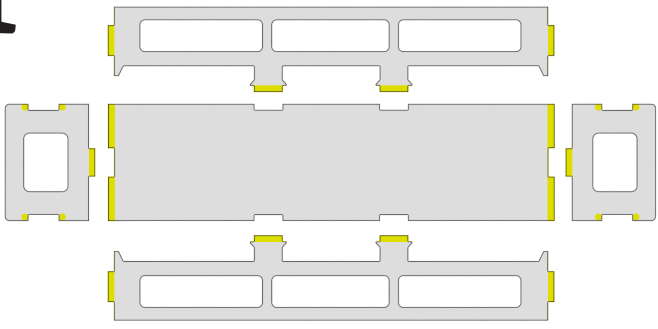
- DRY FIT THE PARTS BEFORE GLUING.
- YOU CAN USE A RUBBER Mallet TO FORCE SOME PARTS INTO PLACE. PLYWOOD IS MUCH STURDIER THAN MDF.
- IF YOU ARE USING A METAL HAMMER, PLACE A PIECE OF WOOD BETWEEN THE HAMMER AND THE PART. THIS WILL HELP TO PREVENT SCRATCHES AND DENTS.
- USE A MOIST CLOTH TO WIPE AWAY EXCESS GLUE.
- USE A BRUSH TO APPLY GLUE WITH MORE PRECISION.
- IF YOU ARE UNABLE TO FIT PARTS TOGETHER, USE A NAIL FILE TO SAND AWAY EXCESS MATERIAL.

DO NOT USE STRONG SOLVENTS OR ISOPROPYL ALCOHOL ON THE PARTS. IT CAN DAMAGE THE VARNISH AND STAIN. IF YOU NEED HELP OR HAVE ANY QUESTIONS FEEL FREE TO CONTACT US AT INFO@FRONTIERWARGAMING.COM

PLEASE MAKE YOURSELF FAMILIAR WITH THE INSTRUCTIONS BEFORE ASSEMBLY.

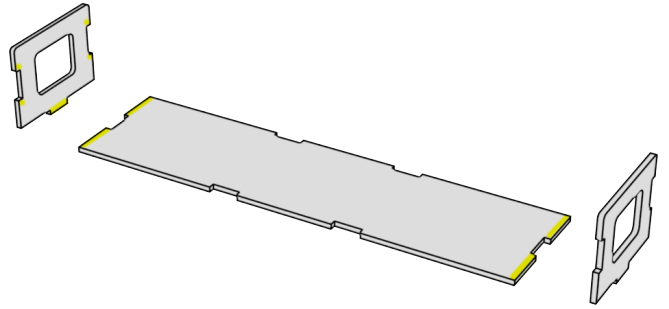
HALF TRAY

1

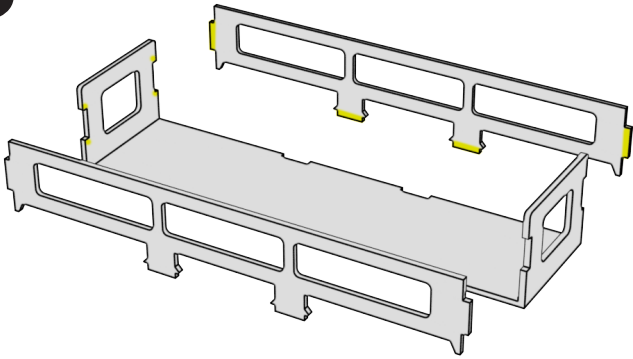


APPLY GLUE ON THE YELLOW SPOTS

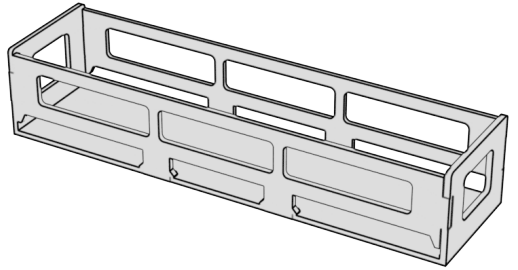
2



3

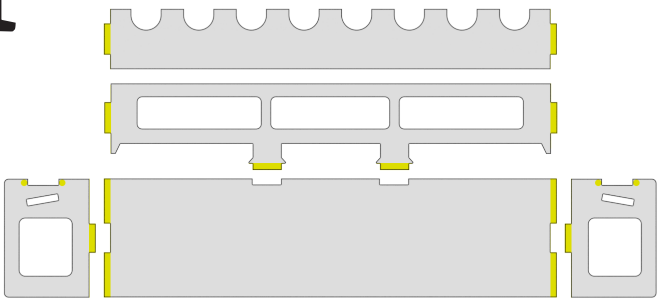


4



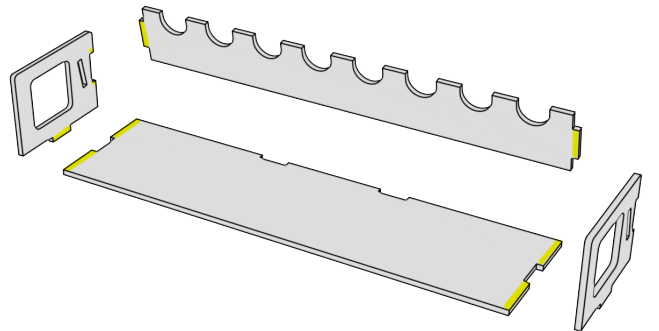
TUBE HOLDER

1

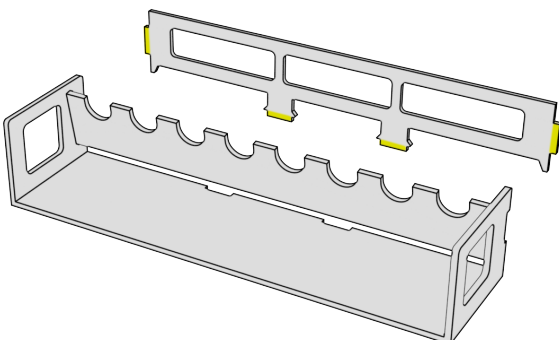


APPLY GLUE ON THE YELLOW SPOTS

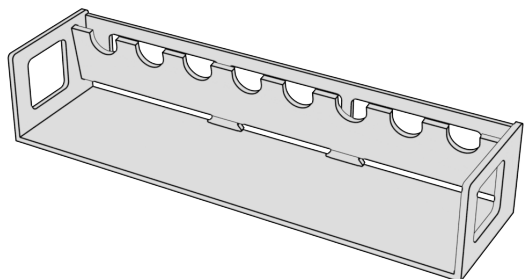
2



3

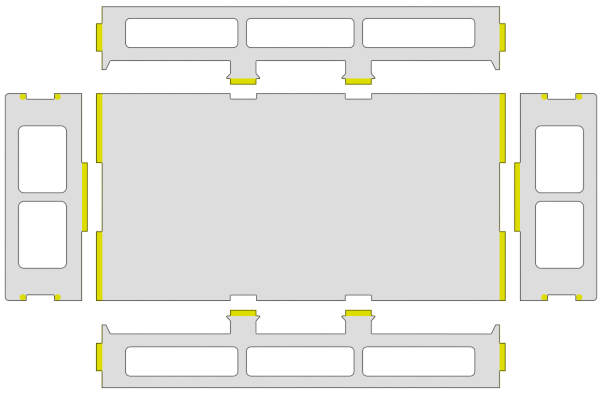


4



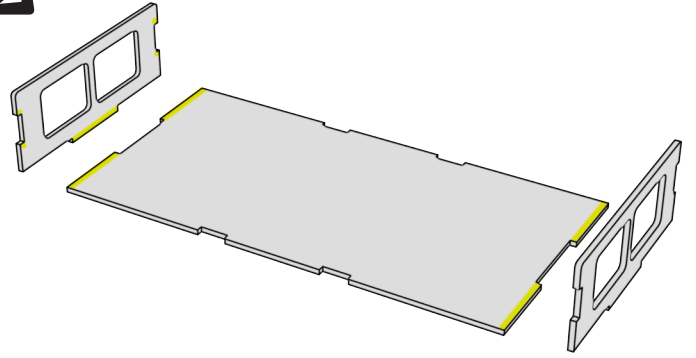
PAINT TRAY

1

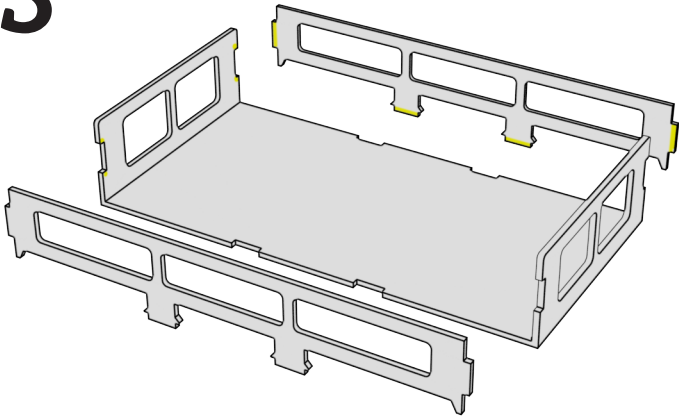


APPLY GLUE ON THE YELLOW SPOTS

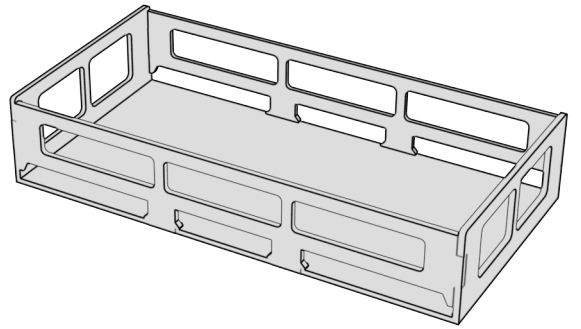
2



3

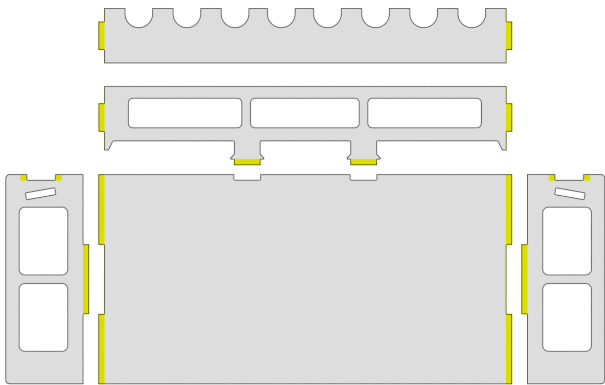


4



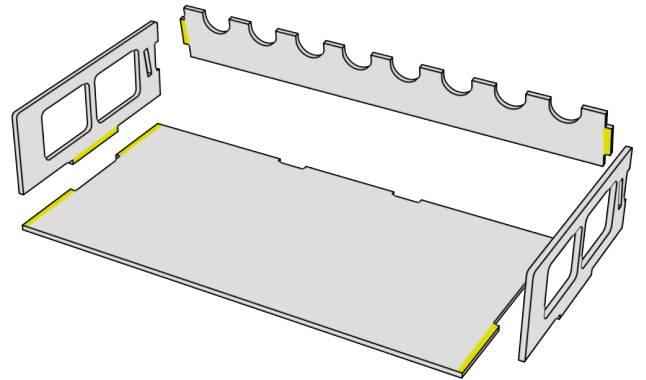
TUBE TRAY

1

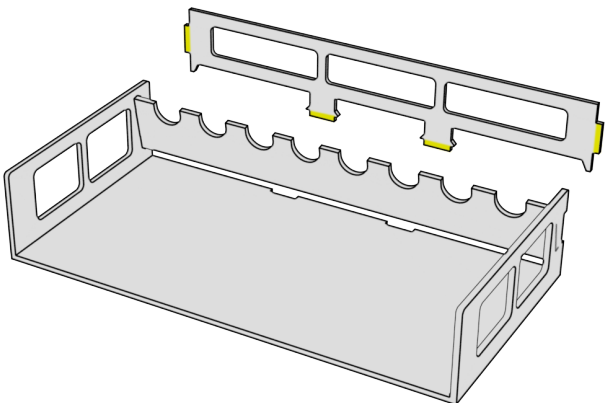


APPLY GLUE ON THE YELLOW SPOTS

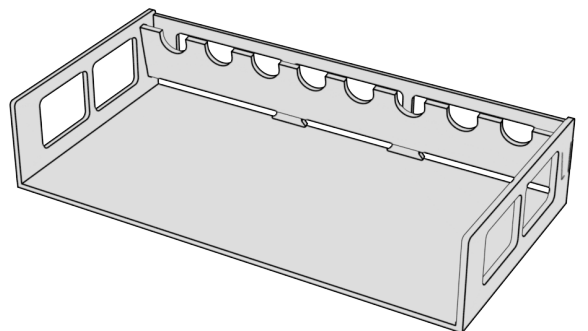
2



3

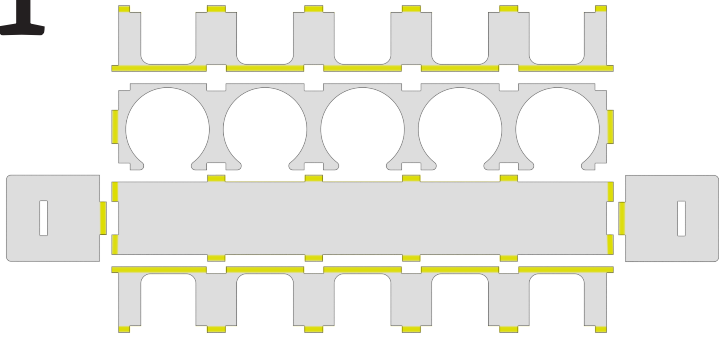


4



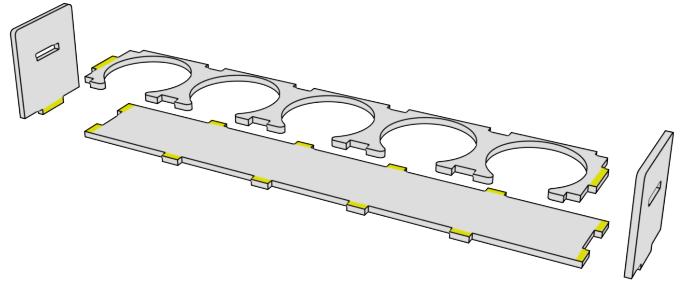
SLOT TRAY

1

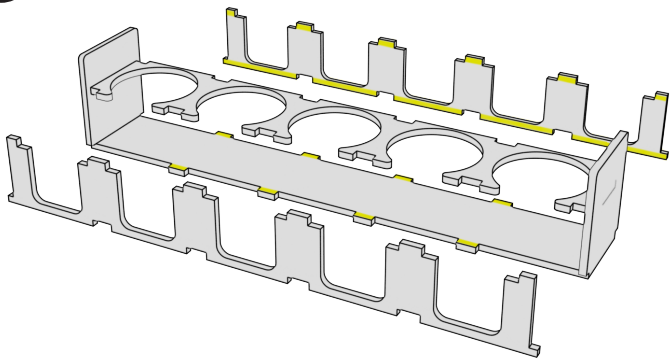


APPLY GLUE ON THE YELLOW SPOTS

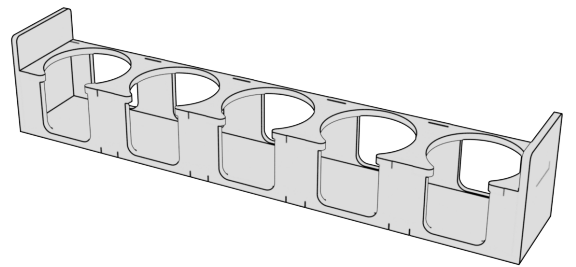
2



3

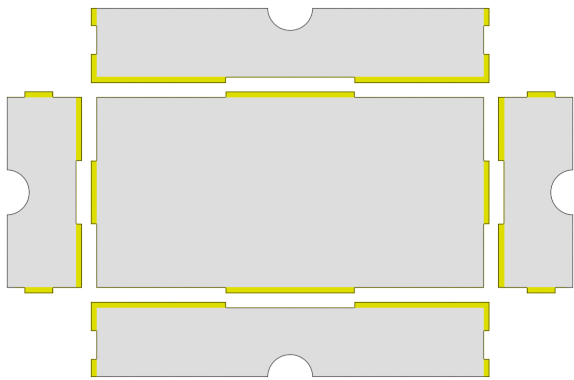


4



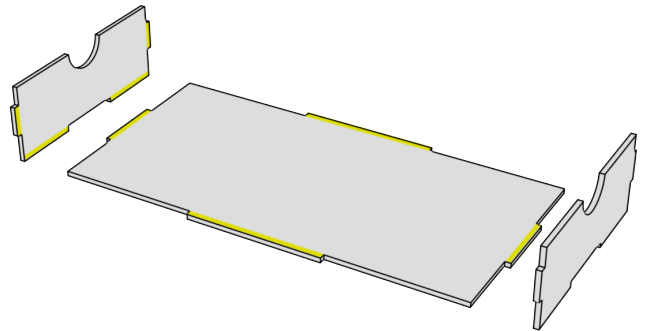
TOOL BOX

1

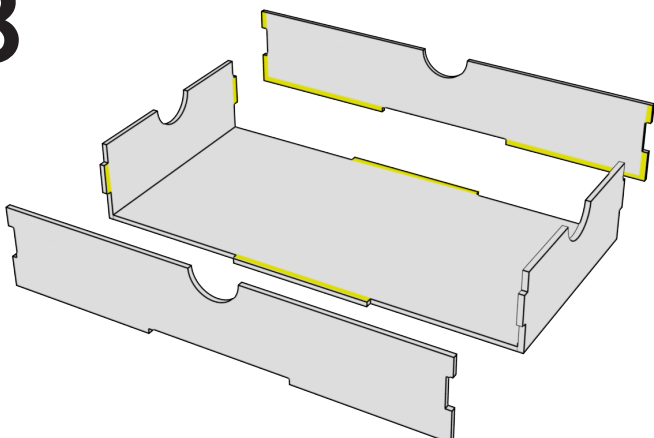


APPLY GLUE ON THE YELLOW SPOTS

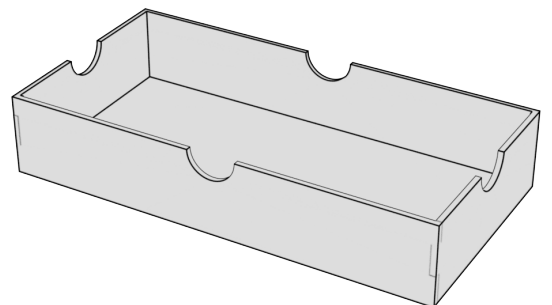
2



3

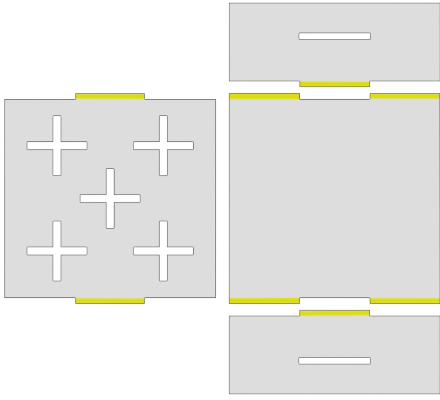


4



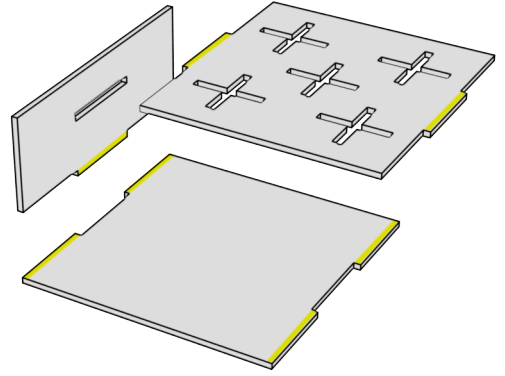
MINIATURE HOLDER TRAY

1

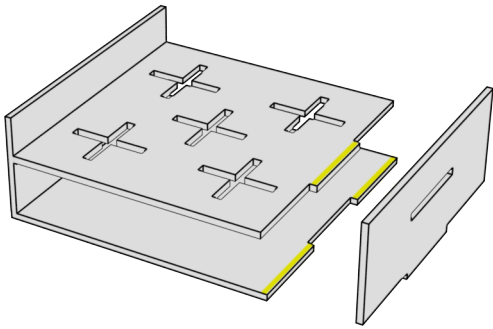


APPLY GLUE ON THE YELLOW SPOTS

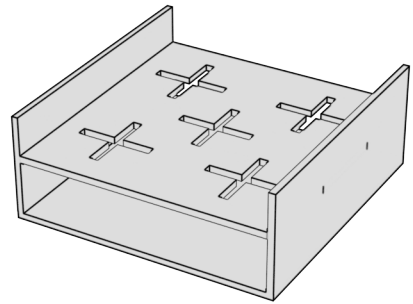
2



3

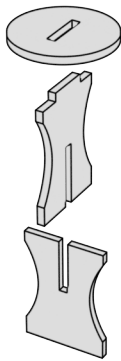


4

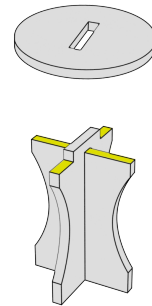


MINIATURE HOLDERS

1

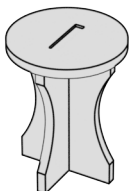


2



APPLY GLUE ON THE YELLOW SPOTS

3



4

