

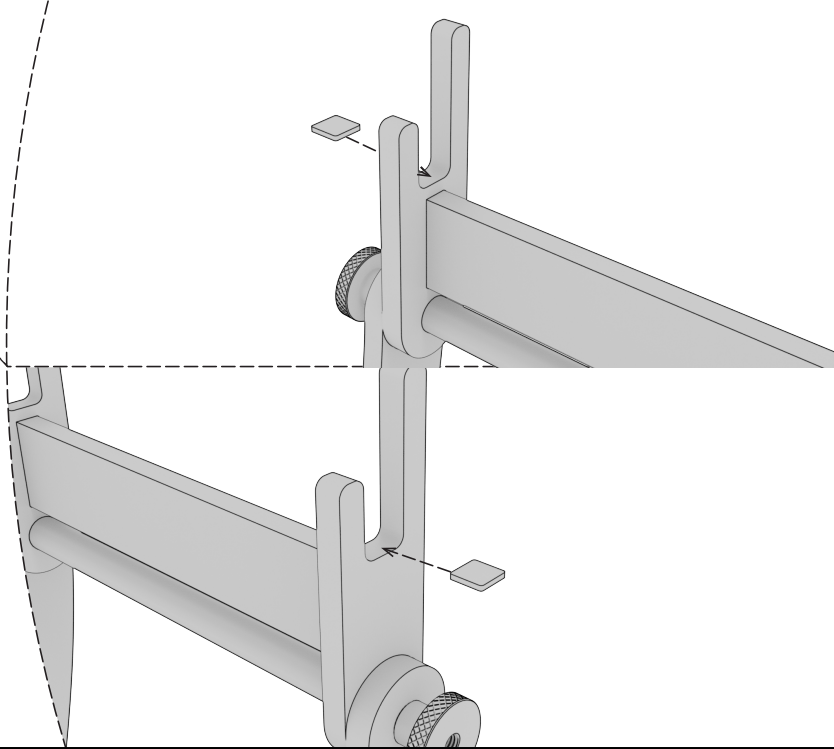
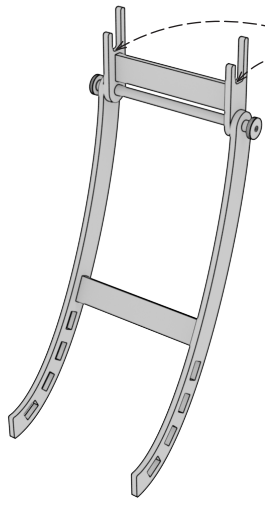
WHAT TO DO WITH GRAY SILICONE SQUARES?

THANK YOU FOR PURCHASING THE HOBBY DECK. SOME OF THE PARTS MAY SMELL OF BURNED WOOD WHEN YOU RECEIVE THEM, IT WILL GO AWAY WITH TIME.

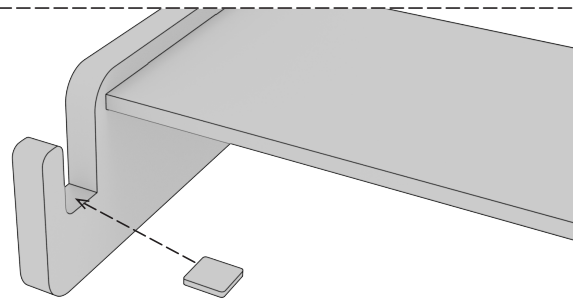
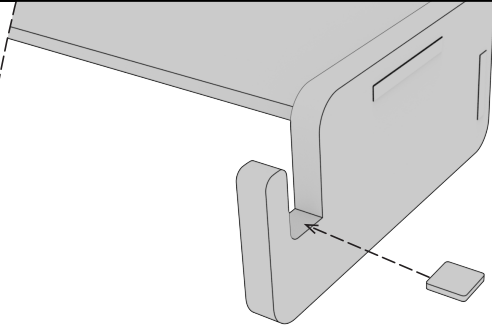
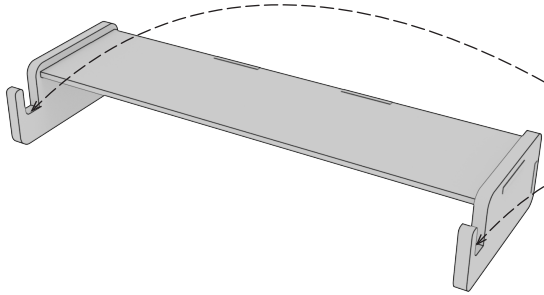
DO NOT USE STRONG SOLVENTS OR ISOPROPYL ALCOHOL ON THE PARTS. IT CAN DAMAGE THE VARNISH AND STAIN. IF YOU NEED HELP OR HAVE ANY QUESTIONS FEEL FREE TO CONTACT US AT INFO@FRONTIERWARGAMING.COM

PLEASE MAKE YOURSELF FAMILIAR WITH THE INSTRUCTIONS BEFORE ASSEMBLY.

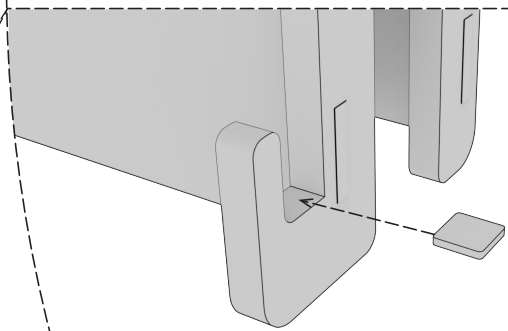
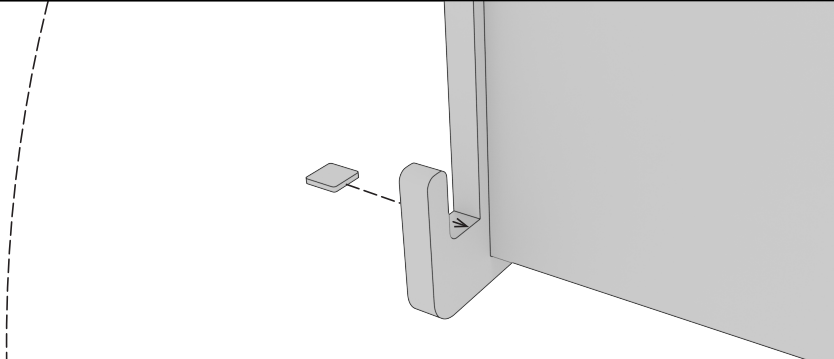
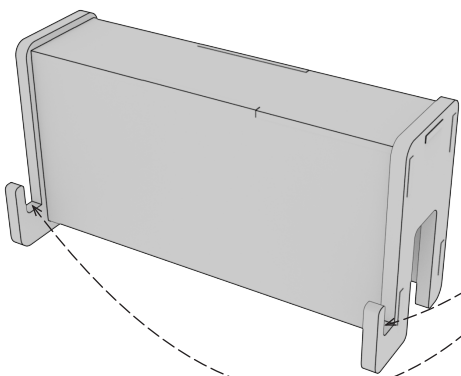
LED LIGHT



TRAY MOUNT



TOOL MOUNT



PHONE STAND

