



FRONTIER WARGAMING

Paint Cube assembly instructions

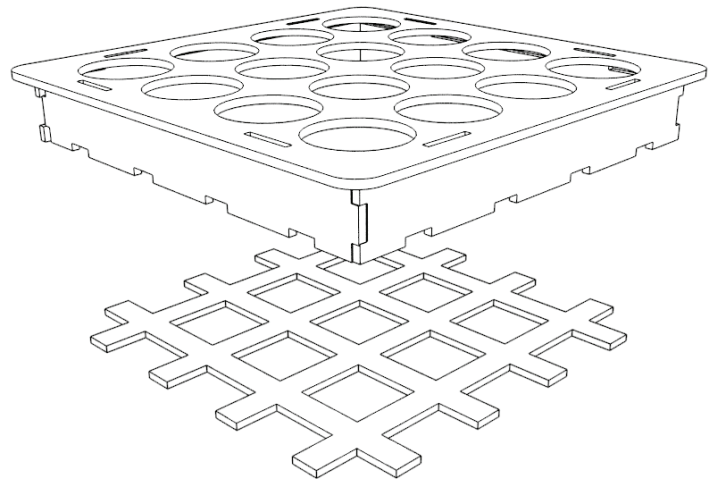
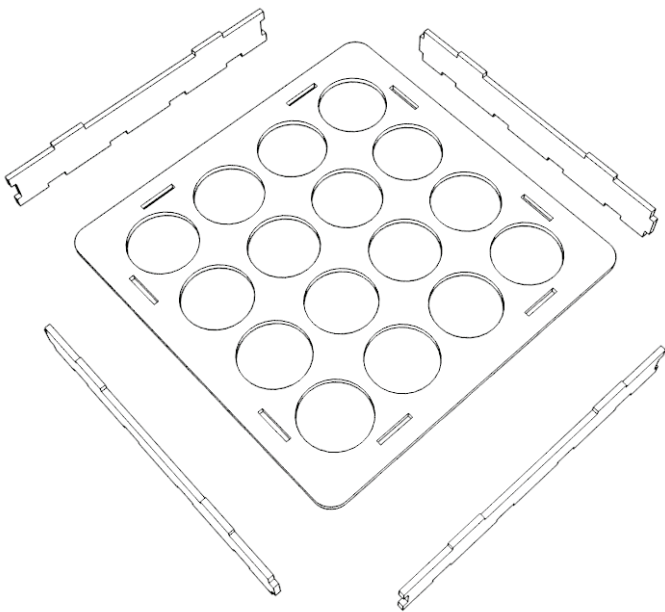
First please carefully unpack the paint cube and find a flat surface to put all the parts. If you have bought different paint options please try not to mix the parts and assemble one shelf at a time.

We recommend using fast setting epoxy glue or PVA to glue the paint cube.

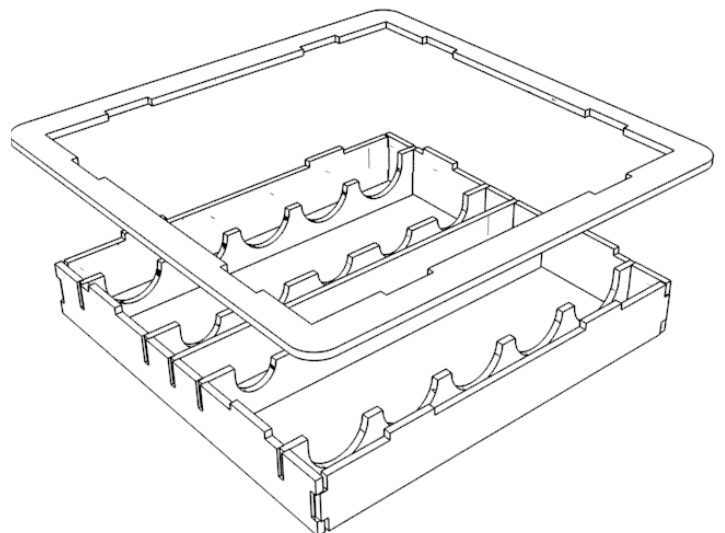
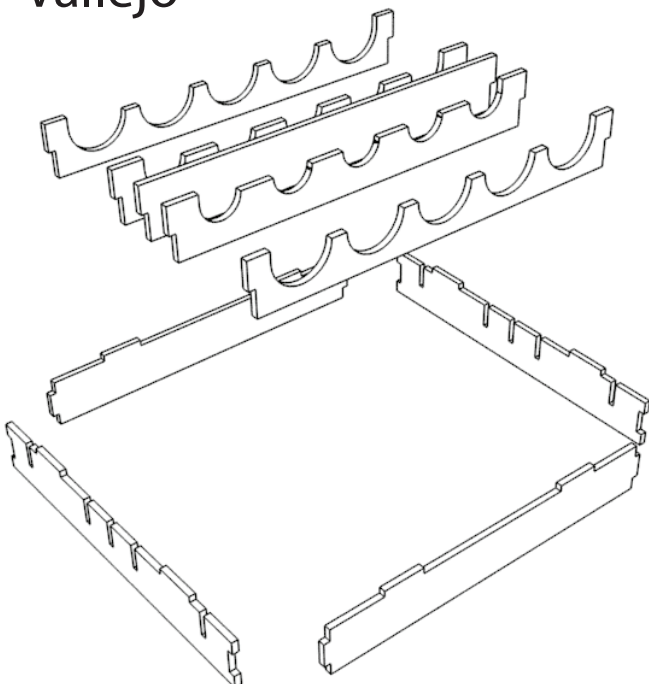
Your cube can smell of burnt wood when you receive it, but it will go away shortly.

Please follow the following pictures to assemble the shelves:

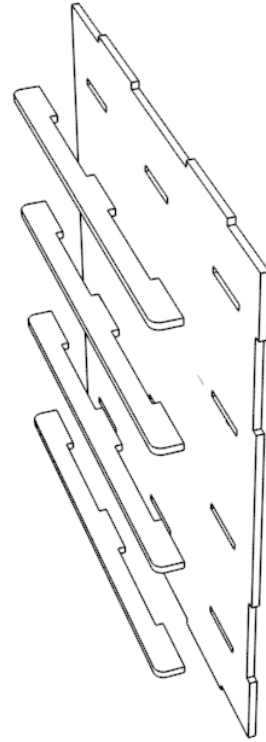
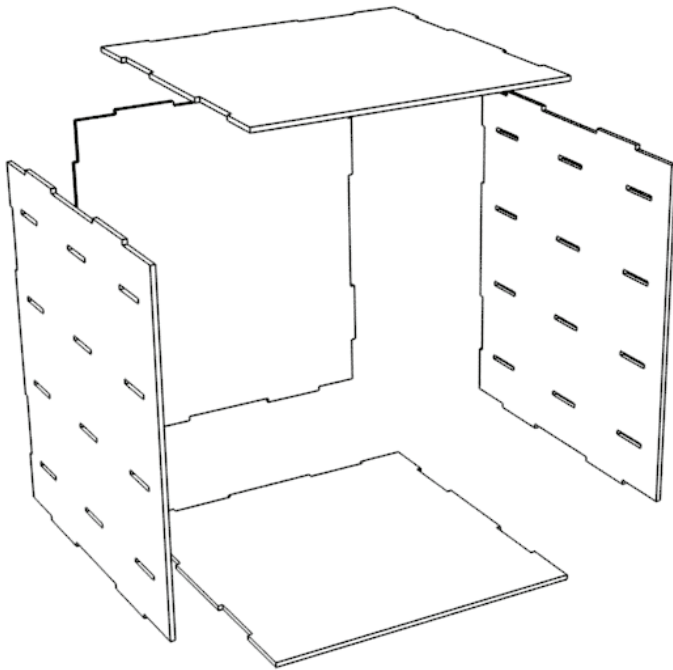
Citadel



Vallejo



Glue the rails to the walls and proceed to assemble the cube. There are two almost the same parts, which go to the top and to the bottom. The bottom one is bigger, and the top part is shorter to allow the sliding of the lid. You may need to file away some material from the sliding lid if it doesn't slide easily.



Please look at the pictures of this product at our website if you have any difficulties or just ask us a question!